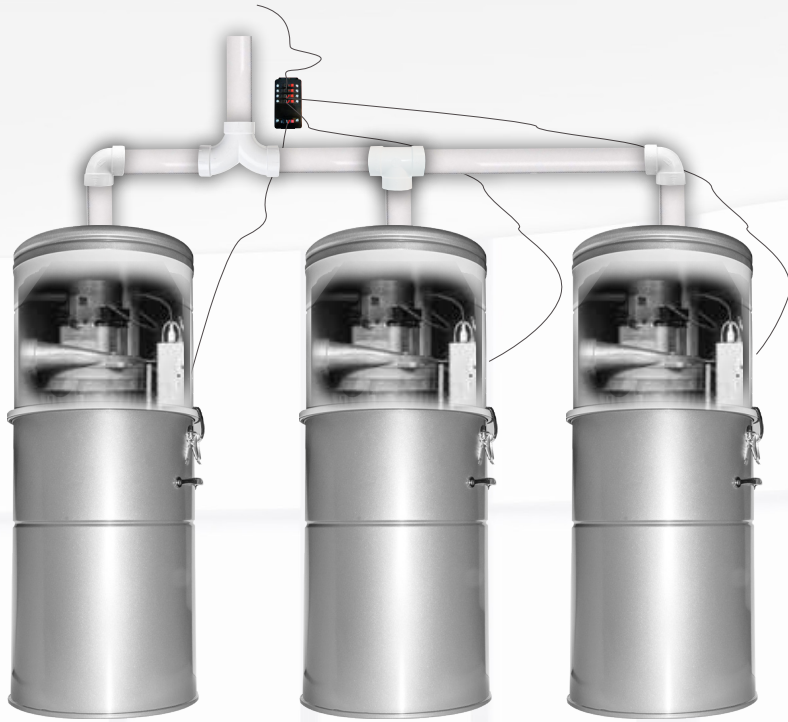
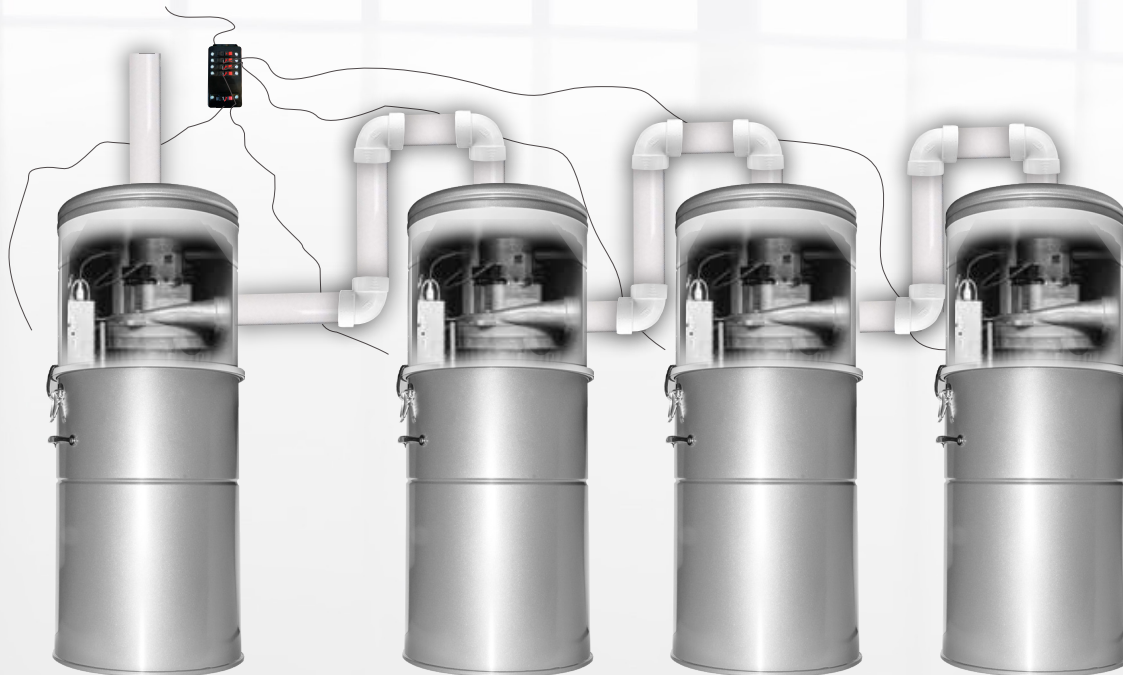


LIGHT COMMERCIAL SYSTEMS

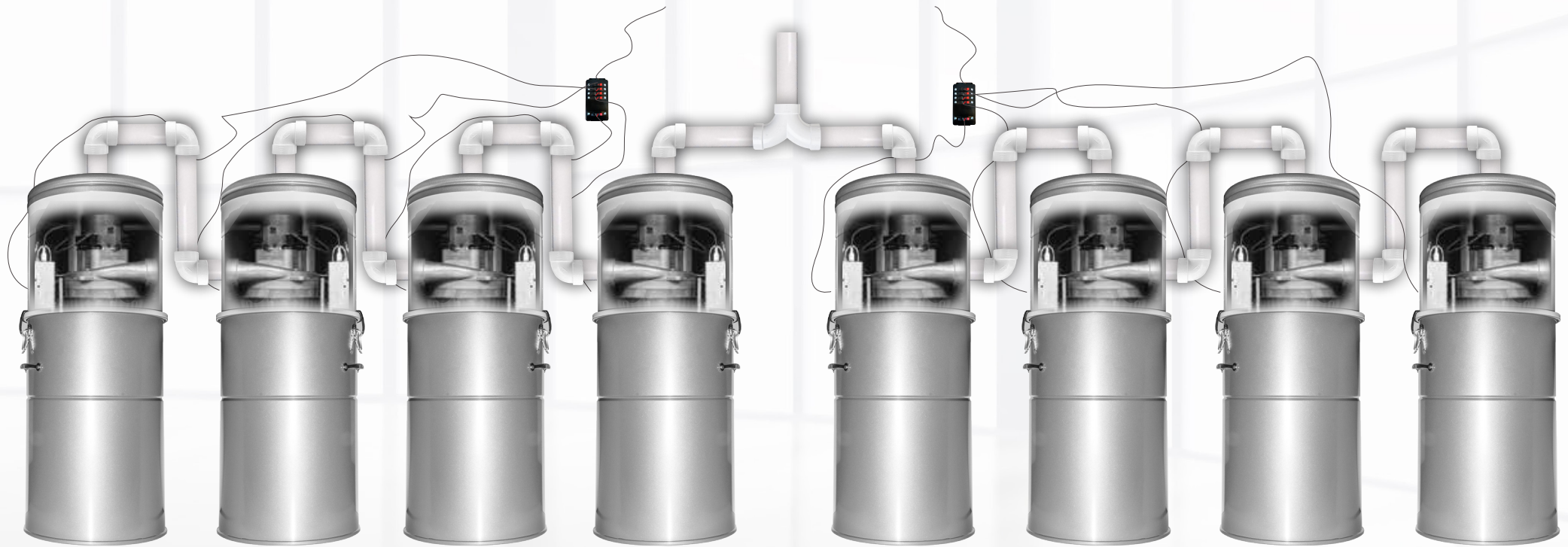


PARALLEL INSTALLATION
More power



SERIE INSTALLATION
More suction

Infinite retractable hose system or large commercial applications



Up to 4 vacuums / Low-voltage socket box